



CELEBRATE!

tent package

FOR UP TO 60 GUESTS

20'x30' Frame Tent.....	\$820
Basic streamer lighting.....	\$355
<i>includes: 2 multi cords, 1 yellow cord</i>	
(10) Tent pole drapes.....	\$270
(6) 5' round guest tables.....	\$72
(6) Lap length solid cloths.....	\$87
(60) White samsonite chairs.....	\$186
8'x30" buffet table with full length cloth.....	\$40

PACKAGE PRICE: \$1,956*

**\$2500 order minimum met with delivery/pick up, sales tax, prep & process, and damage waiver*

PERFECT ADDITIONS

Two sides of white tent walls.....	\$165
Two sides of clear tent walls.....	\$195
(4) Tent fans.....	\$490
<i>includes: 2 multi cords, 1 yellow cord, 1 dimmer</i>	
6'x30" drink or gift table with full length cloth.....	\$37.50
(3) 30" hightop cocktail tables with full length cloth and sash.....	\$124.50
(2) Trash boxes with (4) liners.....	\$25.50
Hand sanitizer stand.....	\$60

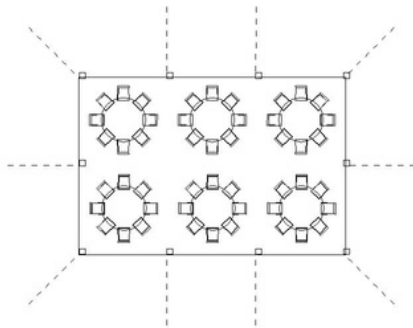
**Prep & process, tax, and delivery/pick-up charges are additional. \$2500 minimum applies to all tent orders. Tented packages are subject to site inspection. There may be additional charges based on terrain, access and obstacles. Once a deposit is placed, a site inspection may be scheduled. A tent permit may be necessary depending on the municipality and whether the site is residential or commercial. All Occasions can obtain a tent permit for your event, for an additional charge.*



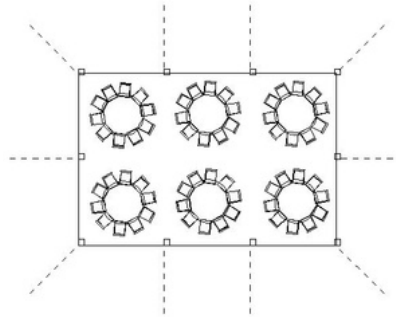
ALL OCCASIONS
EVENT RENTAL

20 X 30 FRAME TENT

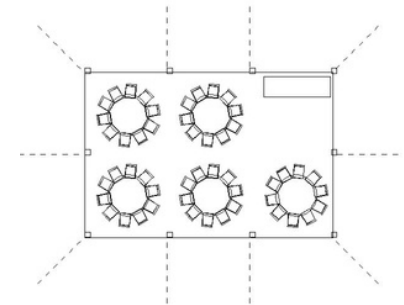
sample layouts



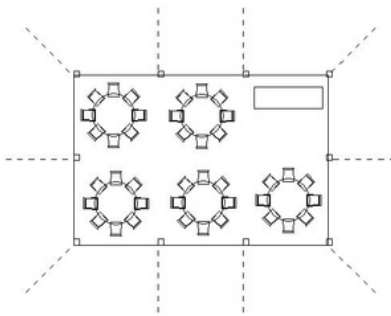
Seating for 48



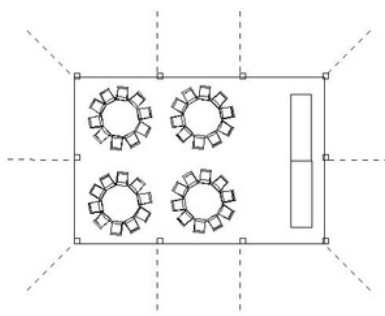
Seating for 60



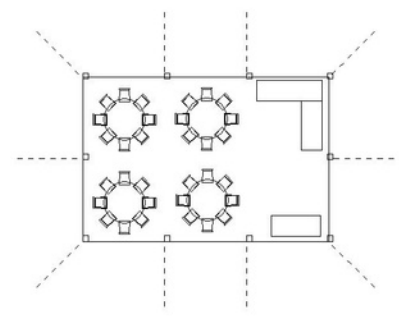
Seating for 50
(1) 8'x30" table



Seating for 40
(1) 8'x30" table



Seating for 40
(2) 8'x30" tables



Seating for 32
(1) 8'x30" table
(2) 6'x30" tables